



## Condensing Gas Storage Water Heater

High efficiency burner, 316L SS ASME heat exchanger, BTU input from 200,000 to 400,000 MBH

Up to 8:1 turndown

Numerous venting options

Natural gas or propane

BMS integration via open communication protocol

Minimal space required

Feature rich interface using touch panel controller

Scale reducing design

- Fuel type: natural gas or propane
- Low pressure drop
- Innovative floor to tank mount configuration provides exceptional access to all components
- Increased serviceability

### Applications

Office buildings, schools, hospitals, industrial facilities, hotels, and much more.



**NXT**  
PRIME SERIES

### Thermal efficiency rating of 96%

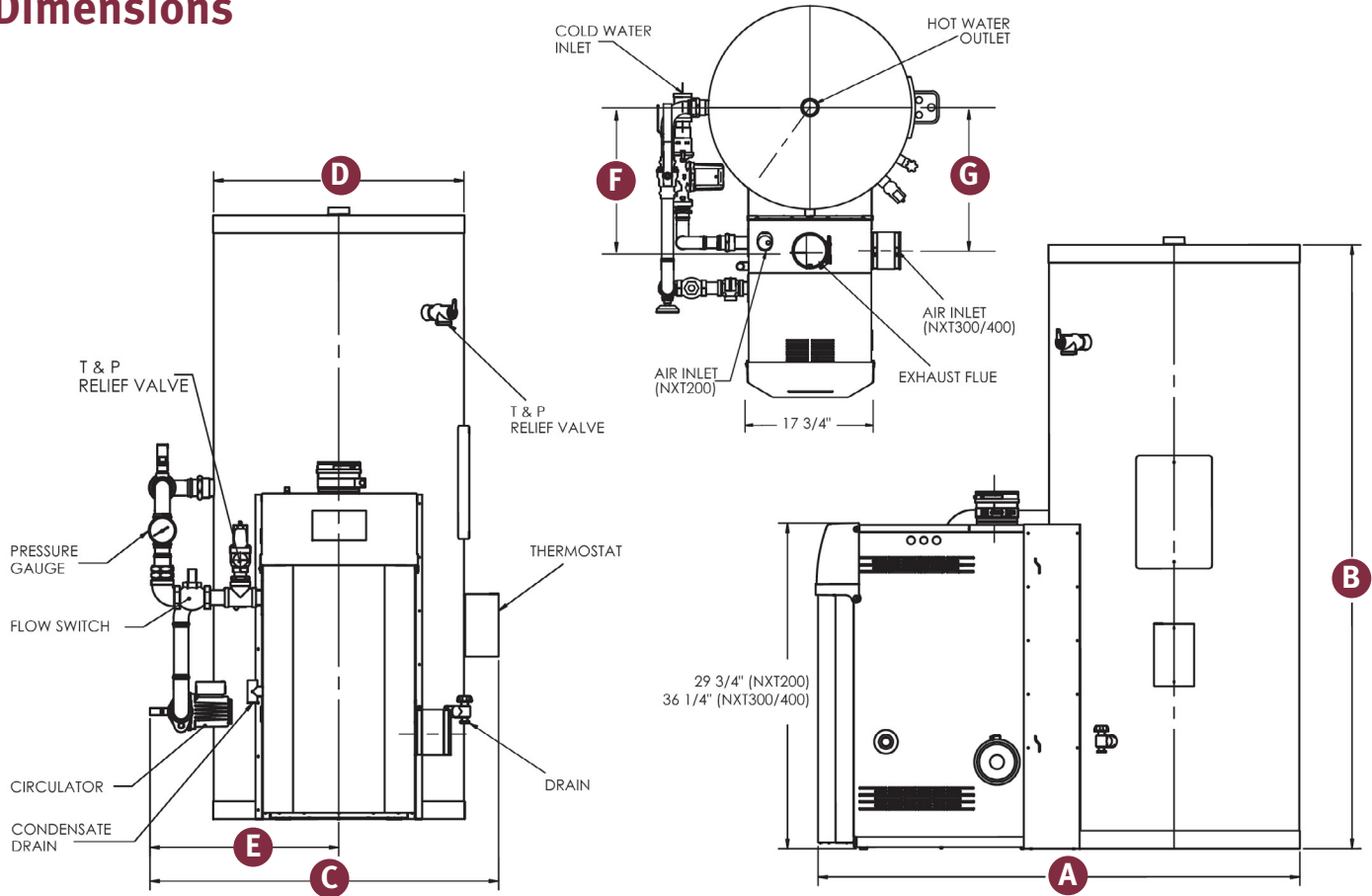
The Hubbell Prime NXT is a heavy-duty, fully condensing commercial gas water heater integrated with a storage tank, factory packaged and assembled ready for installation. The Hubbell design achieves a thermal efficiency rating of 96% and is available with inputs ranging from 200 – 400 MBH. The NXT combines the best of both worlds by combining a high efficiency, high recovery gas water heater with a properly sized long lasting cement lined storage tank, reducing energy consumption, short-cycling, and stand-by heat loss.

### Over 100 years of water heating expertise

Hubbell water heaters are the right choice for your commercial and industrial applications. We have water heating solutions for most energy sources with storage capacities from 1–10,000 gallons — all designed, engineered, and manufactured for reliability and longevity coupled with unparalleled support and service.



## Dimensions



Model	Input Max	Tank Capacity (Gallons)	Dimensions (Inches)							Dry Shipping Weight (Lbs.)
			A	B	C	D	E	F	G	
NXT200-A-40SL	199	40	41-1/2	58-3/4	34	20	19	17-7/8	N/A	480
NXT200-A-65SL	199	65	47	48	39	26	21-1/4	20-1/4	N/A	464
NXT200-A-80SL	199	80	47	58	39	26	21-1/4	20-1/4	N/A	606
NXT200-A-100SL	199	100	47	69-1/2	39	26	21-1/4	20-1/4	N/A	692
NXT200-A-120SL	199	120	48	67-1/2	39	28	21-1/4	20-1/4	N/A	728
NXT200-A-150SL	199	150	49-1/2	72-1/2	41-1/2	30	22-1/2	21-1/4	N/A	823
NXT300-A-65SL	275	65	50	48	39	26	21-1/4	19-7/8	19-5/8	512
NXT300-A-80SL	275	80	50	58	39	26	21-1/4	19-7/8	19-5/8	654
NXT300-A-100SL	275	100	50	69-1/2	39	26	21-1/4	19-7/8	19-5/8	740
NXT300-A-120SL	275	120	51	67-1/2	39	28	21-1/4	19-7/8	19-5/8	776
NXT300-A-150SL	275	150	52-1/2	72-1/2	41-1/2	30	22-1/2	21	20-3/4	871
NXT400-A-80SL	399	80	53	58	37	26	21-1/4	19-7/8	19-5/8	696
NXT400-A-100SL	399	100	53	69-1/2	37	26	21-1/4	19-7/8	19-5/8	782
NXT400-A-120SL	399	120	54	67-1/2	39-1/2	28	21-1/4	19-7/8	19-5/8	818
NXT400-A-150SL	399	150	55-1/2	72-1/2	41-1/2	30	22-1/2	21	20-3/4	913

**Note:** Additional storage tank sizes and capacities available. Please consult factory